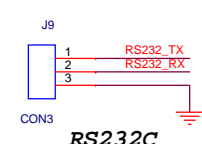
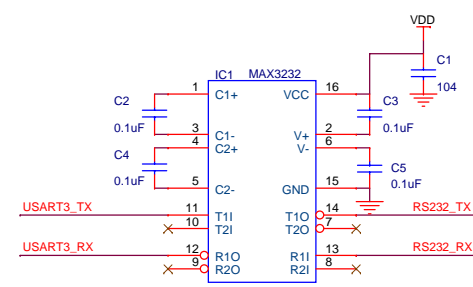
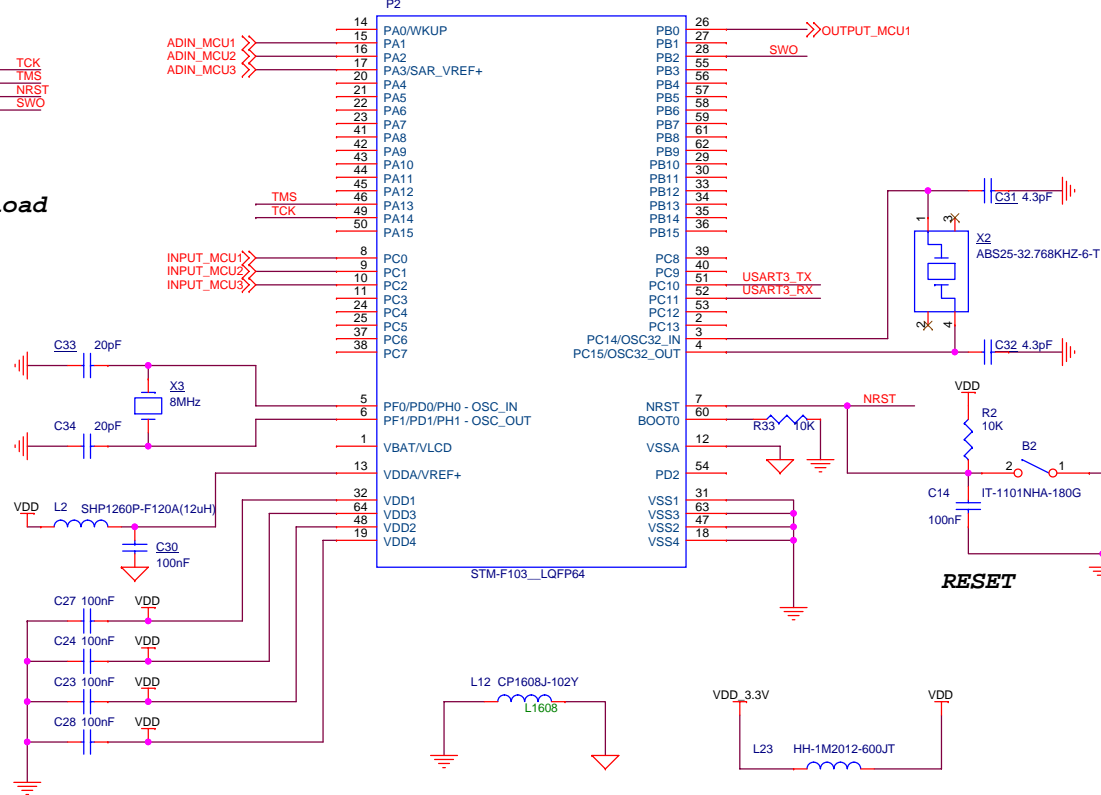
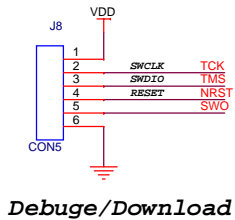
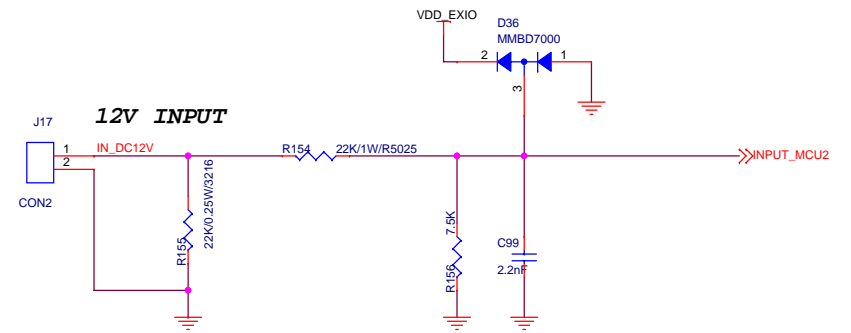
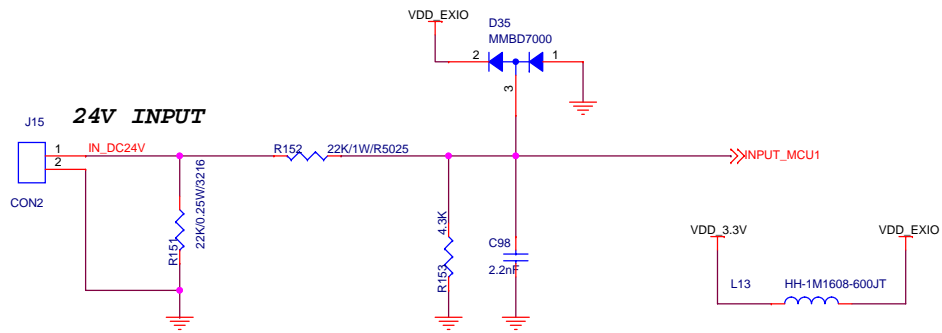


STM-F103_LQFP64

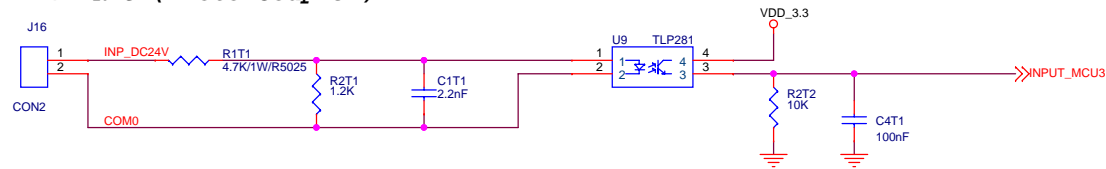


TML

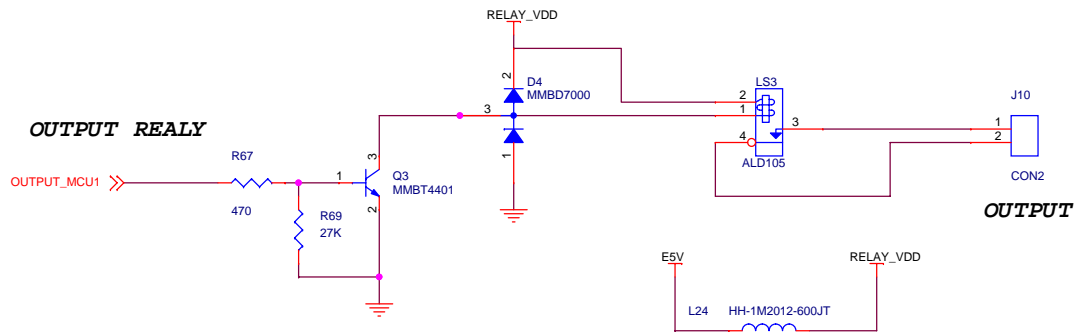
Title		<Title>
Size	Document Number	Rev
A3	<Doc>	<Rev Code>
Date:	Monday, September 26, 2016	Sheet 1 of 2



24V INPUT(Photo Coupler)

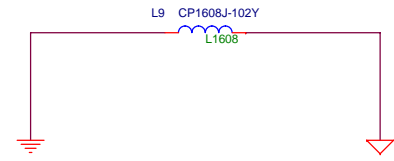
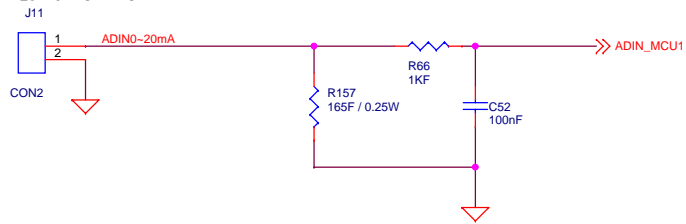


OUTPUT RELAY

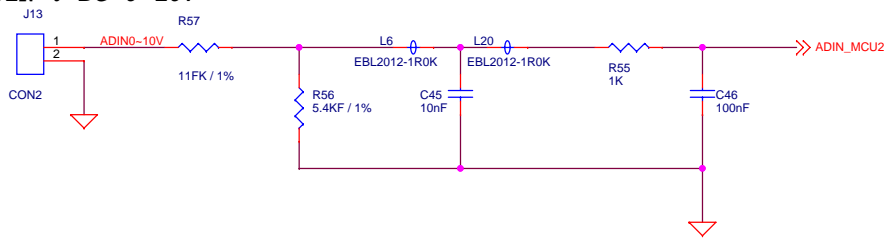


Title	<Title>		Rev
Size	Document Number	<Doc>	
A3	<Doc>	Date:	Monday, September 26, 2016
Sheet	1	of	1

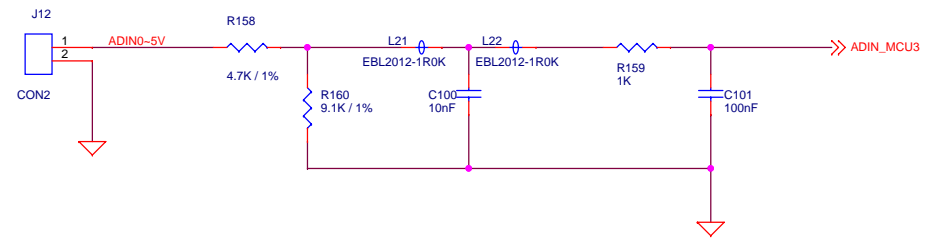
ADIN : 0~20mA



ADIN : DC 0~10V

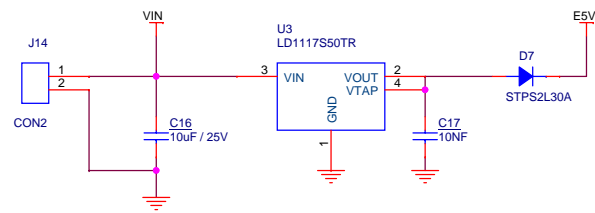


ADIN : DC 0~5V

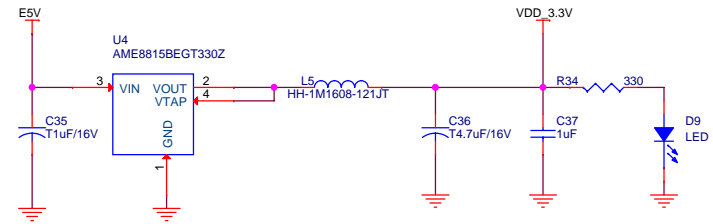


Title		<Title>
Size	Document Number	Rev
A3	<Doc>	<Rev Code>
Date:	Monday, September 26, 2016	Sheet 1 of 1

POWER
DC7~12V TO 5V



POWER
DC 5V TO 3.3V



Title		<Title>
Size	Document Number	Rev
A3	<Doc>	<Rev Code>
Date:	Monday, September 26, 2016	Sheet 2 of 2